

# XP95 IS

## Galvanic Barrier

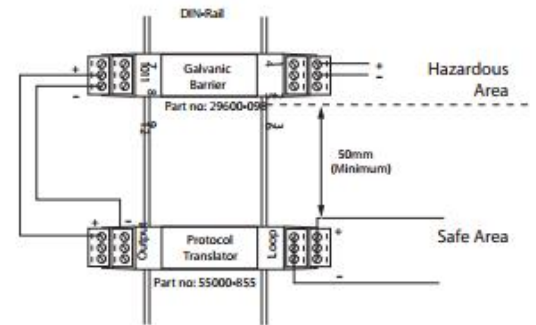


**29600-098**  
XP95 IS Galvanic Barrier

The XP95 IS Galvanic Barrier is installed in the safe area and ensures system integrity.

- Enables compliance with the ATEX directive

### Analogue Addressable IS Configuration for 29600-239



### Analogue Addressable IS Configuration for 29600-240

