

# Conventional Intrinsically Safe Sounder Beacon



## Technical Data

Maximum sound output at one metre	100dB(A)
Supply voltage	6-28 V dc
Current (tone dependent)	48 mA typical
Rating	Continuous
Number of tones	49
Frequency - flash rate	2 Hz or 1 HZ (double flash)
Operating temperature	-40°C to +60°C
IP Rating	designed to IP65
Standards & approvals	ATEX, IECEx
Weight	0.35 kg
Cable entries	2
Construction	High-impact flame retardant ABS

## Product Overview

Product	I.S. Conventional Sounder Beacon
Part No.	29600-446

## Approvals



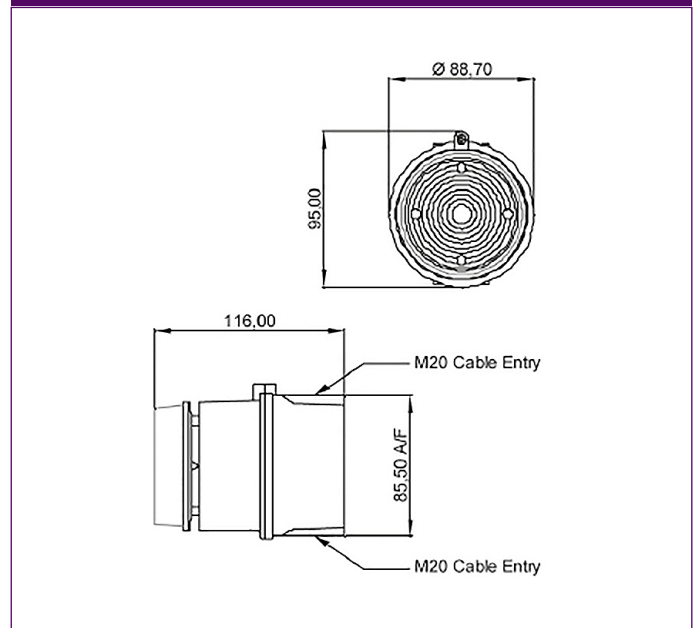
## Product Information

The Conventional Intrinsically Safe (I.S.) Sounder Beacon is a combine sounder and beacon fitted with a 100 dB(A) sounder and six high intensity LEDs, it provides effective audible and visual warning in hazardous area application.

The sounder beacon needs to be used with a galvanic isolator as specified by the system certificates.

- ATEX certified
- IECEx certified

## Conventional I.S. Sounder Beacon dimensions



Suitable for the applications that follow:

- Industrial
- Railway/Marine
- Hazardous areas
- Public warning

This page has intentionally been left blank